



Pump specifications:

Type.....	B70-4 BVGMC+KF+M+SD+VD3
Max. flow	90 m ³ /hour
Max. head.....	19 mwc
Connections.....	3"
Free passage.....	30 mm
Cutter blade	Stainless steel
Impeller type	Open impeller
Electric motor.....	5.5 kW – 2 pole
Starter	Manual Star-delta
Voltage	400/690V
Frame	Wheelbarrow frame
Dry weight.....	135 kg

FEATURES

B self-priming centrifugal pump

The B range of pumps has been designed with a clear focus on reliability, efficiency and durability, ranging from 1-1/2" to 12". Featuring an open impeller configuration in combination with a changeable wear plate, facilitating servicing and minimising costs of spares. All B series pumps are fitted with a non return valve in the suction port, eliminating the need for a foot valve in suction line and allowing quick priming.

Design features

- Basic, reliable technology
- Large solids handling capacity
- Suitable for use with hot fluids
- Wet self-priming
- Cooled shaft seal
- Extended life due to pump design

Fields of application

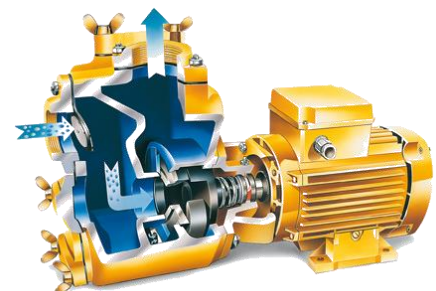
- Shipping
- Industry
- Construction
- Waste water management
- Emergency pump units
- Irrigation
- Agriculture
- Horticulture

Complete package designed & built by BBA Pumps

- Complete in-house design & production
- Over 60 years of experience in the market
- Extensive testing facility in-house
- Contemporary & functional design
- Durable & eco-friendly materials
- Custom builds available

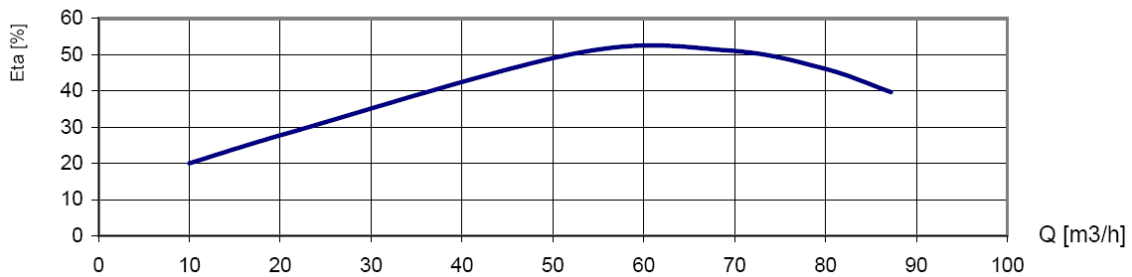
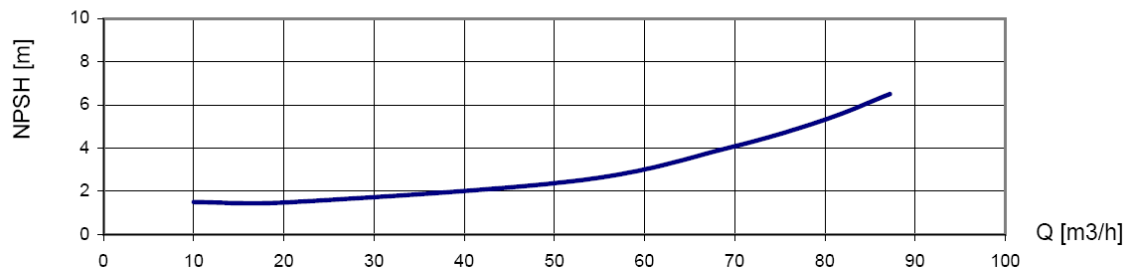
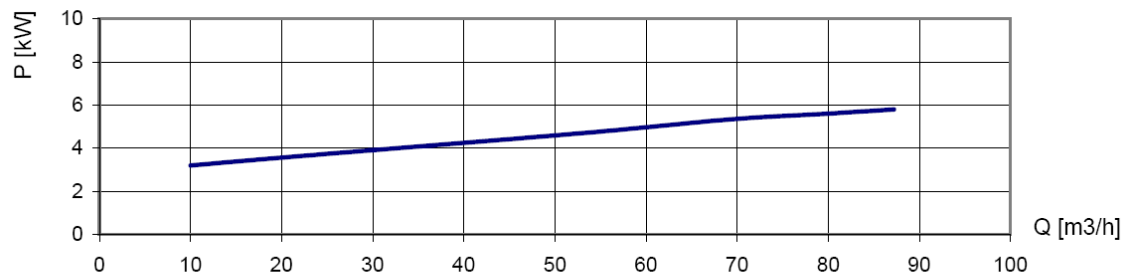
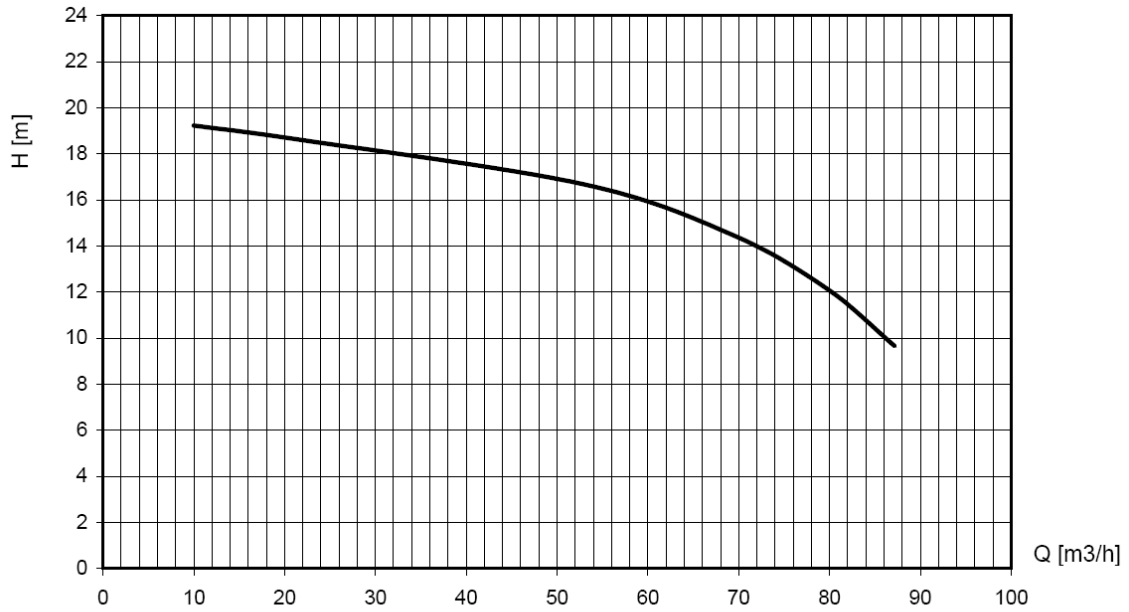
After sales service & product support

- Single supplier for parts, spares & accessories
- Dedicated customer help-desk (24h service)
- Dedicated service department in-house
- Global parts distribution network
- Optional global on-site servicing
- Extensive training options available (technical & commercial), on-site or in-house



PERFORMANCE CURVES (2895 RPM)

Continuous duty according ISO 9906



STANDARD TECHNICAL SPECIFICATIONS

BBA centrifugal pump

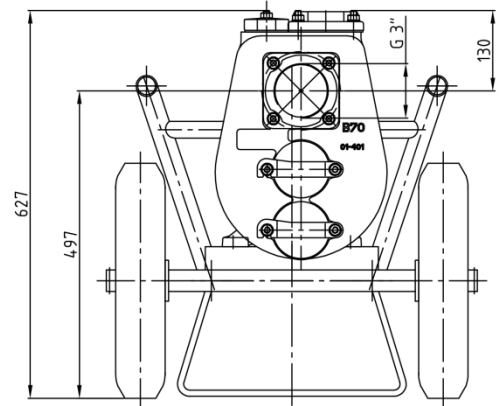
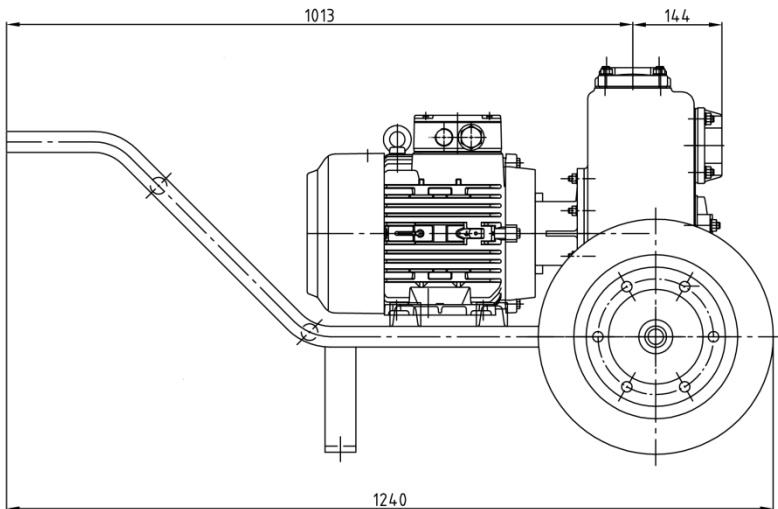
Model.....B70-4 BVGMC
Max. flow.....90 m³/hour
Max. head.....19 mwc
Free passage.....30 mm
Pump speed.....2850 rpm
Connections.....3"

Materials

Pump casingCast iron GG20 – 0.6020
Wear plate.....Cast iron GG20 – 0.6020
ImpellerCast iron GG20 – 0.6020
Shaft sealMechanical seal
Seal facesSic / Sic / Viton
Pump shaft.....Steel C45 – 1.1191
Gaskets.....NBR / paper

Electric motor and plug

Power.....5.5 kW – 2 pole
Voltage.....400/690V
Frequency.....50 Hz
MountingB3/B14A, IP55, ISO F
AssemblyMonobloc
Plug.....16A-4P-6h-CEE



OPTIONAL FEATURES

Mechanical seals

T3W seal.....HM / HM / Viton
MG1 sealSic / Sic / EPDM

Extras

+FDIN flanges
+FK.....DIN flanges, stainless steel 316
+Bl.....Bronze impeller; stainless steel 316 shaft
+Bll.....Bronze impeller/wear plate, stainless steel 316 shaft
+Kl.....Stainless steel 316 impeller and shaft
+Kll.....Stainless steel impeller, wear plate and shaft
+MCutting blade
+PPerma grease cartridge
+VPGrease glass for seal lubrication
+KF.....Wheelbarrow frame
60Hz....Motor 440V – 60Hz

Gaskets

N NBR: Perbunan
V FPM: Viton
E EPDM
T PTFE: Teflon
K FFKM, Kalrez